

REFRIGERATED BASES
BASI REFRIGERATE

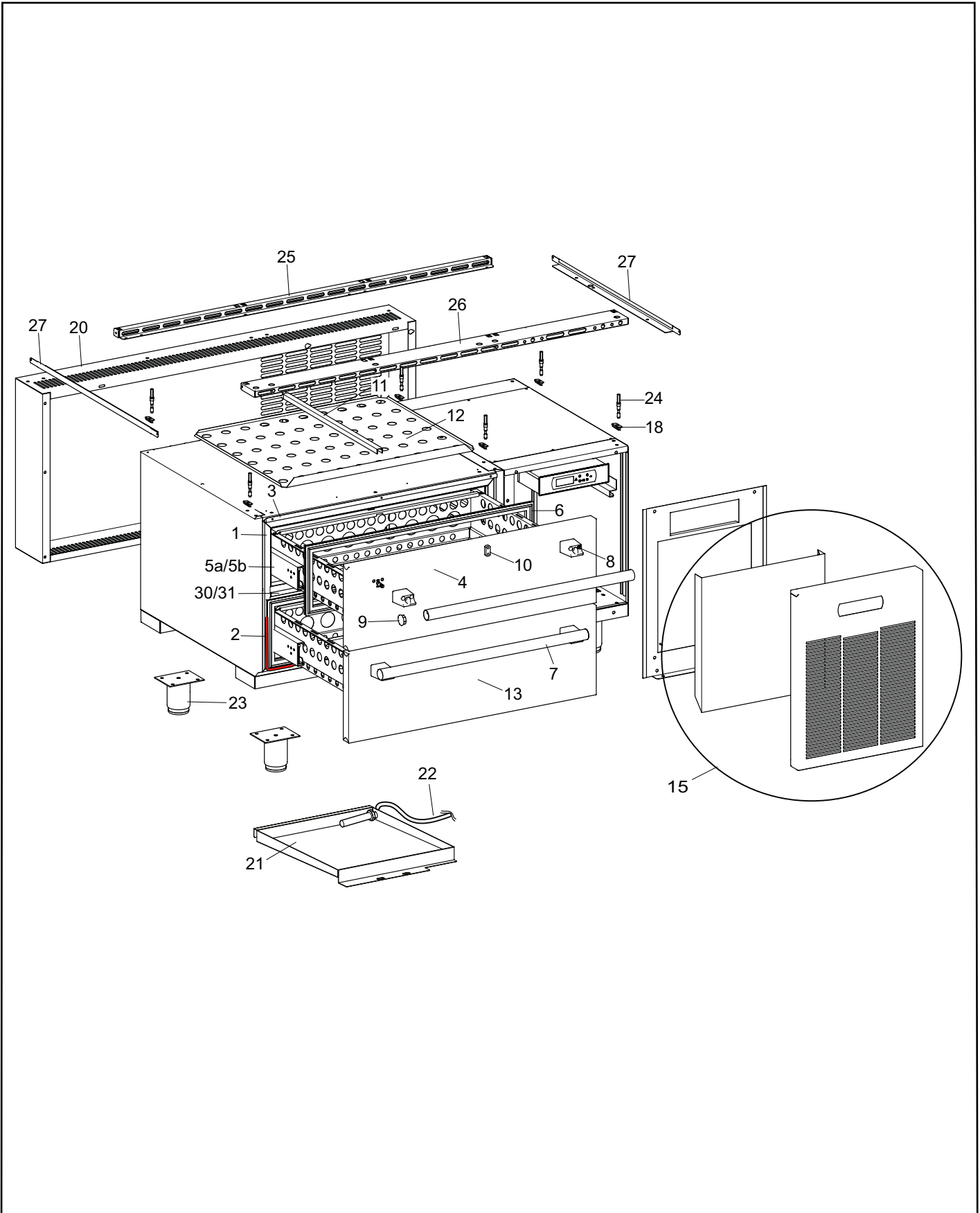
COMPACT R290 N900
Refrigerated and freezer

PNC	MODEL	REF.	DESCRIPTION	NOTE/BRAND
729631	E9BAPL00MP	a	REF-FREEZER BASE 1200MM 2 DRAWERS - 900 LINE - R290	EPR

INDEX - INDICE

PAG.

EXPLODED VIEW COUNTER- ESPLOSO TAVOLO	3
SPARE PART LIST- LISTA RICAMBI	4
EXPLODED VIEW COOLING UNIT ASSEMBLY - ESPLOSO GRUPPO REFRIGERANTE	5
SPARE PART LIST- LISTA RICAMBI	6
EXPLODED VIEW ELECTRICAL BOX - ESPLOSO SCATOLA ELETTRICA	7
SPARE PART LIST- LISTA RICAMBI	8
EXPLODED VIEW SIDE PANEL - ESPLOSO ZOCCOLATURA	9
SPARE PART LIST- LISTA RICAMBI	10



REFRIGERATED BASES

COMPACT R290 N900

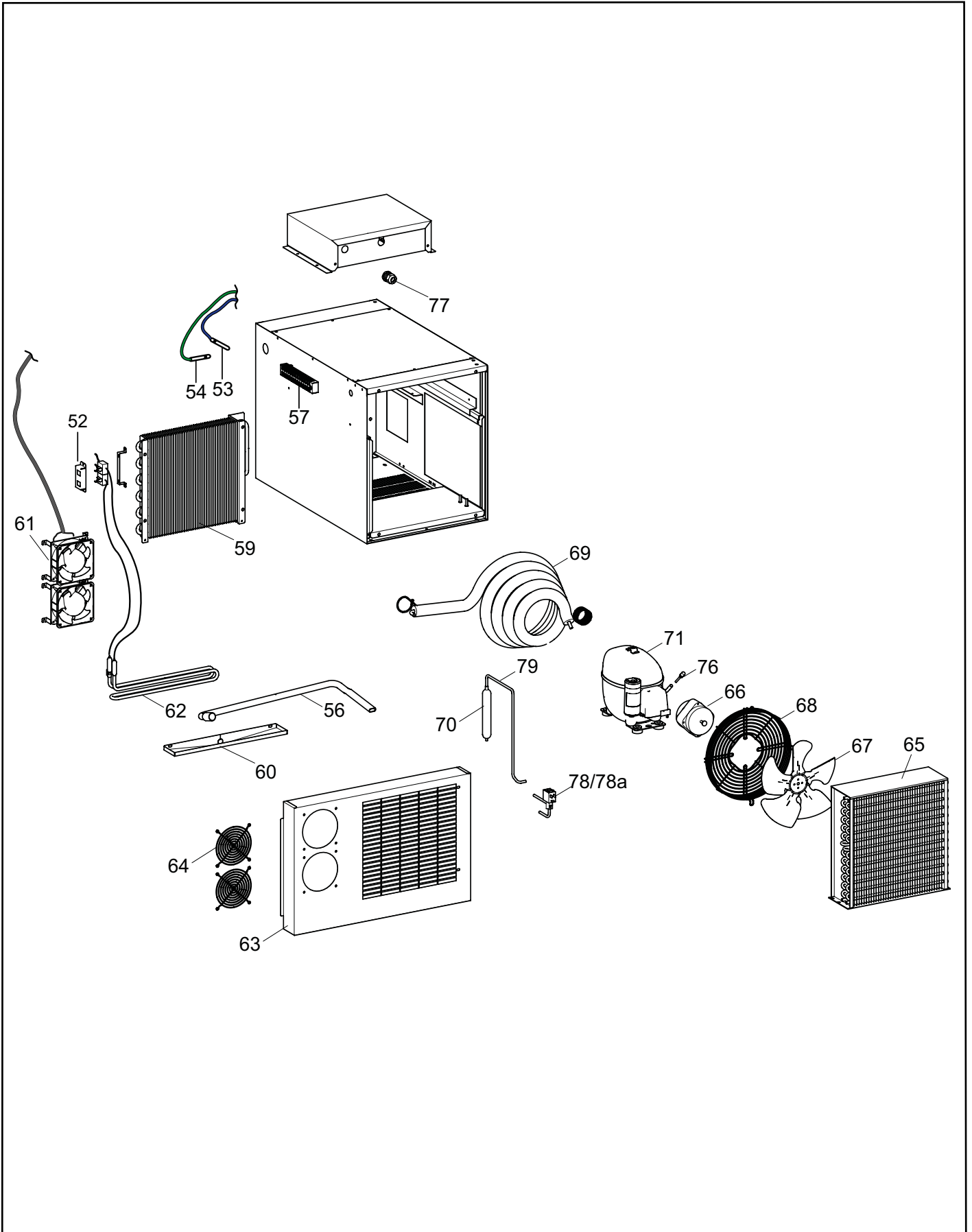
POS	SPARE PART CODE	FACTORY CODE	DESCRIZIONE	DESCRIPTION	REF./ NOTES
1	092608	0500R01901	Riscontro verticale	Vertical frame 430a	
2	092946	0617R04700	Cavo riscaldante 220V - 7w/m	Heating cable (R4)	
3	092610	0500R01801	Riscontro orizzontale	Horizontal frame	
4	096392	0835R10502	Ass.frontale cassetto sup. con maniglia L. 347 mm	Ass. frontal drawers (up) with handrails L. 347 mm	
5a	092612	0835R13000	Guida dx cassetto	Right guide drawer	
5b	092613	0835R13100	Guida sx cassetto	Left guide drawer	
6	092614	0548R02302	Guarnizione magnetica	Drawer gasket	
7	092615	0835R10802	Corrimano L. 660 mm	Handrails L. 660 mm	
8	092616	0530R01702	Supporto per corrimano	Handrails support	
9	0C6823	0530R01802	Tappo per corrimano	Handrails plug	
10	092618	0546R07900	Blocchetto supporto divisorio centrale	Plastic support	
11	092619	0500R78100	Divisorio centrale teglie	Central support GN	
12	092620	0501R16000	Fondo removibile	Removable bottom	
13	096393	0835R10701	Ass.frontale cassetto inf.	Ass. frontal drawers (down)	
15	097410	0830R03H00	Assieme pannello frontale	Front panel assembly	
18	059642	0508803601	Molletta pe rfissaggio moduli	Spring for fix cooking moduls	
20	092949	0501R23601	Pannello posteriore	Back panel	
21	092636	0500R59203	Bacinella	Basin	
22	093533	0617R06601	Resistenza bacinella	Heating basin 230V 120W	
23	092951	0518R02500	Piede	Foot	
24	059643	0514885900	Perno per innesto moduli	Pin for cooking moduls	
25	092952	0501R24001	Supporto posteriore	Back support	
26	092953	0501R22501	Supporto anteriore	Front support	
27	092954	0501R24101	Supporti laterali dx e sx	Left and right supports	
30	094024	0547R04001	Traversa	Half support	
31	094025	0500R77602	Riscontro per traversa	Frame for half support	

* On demand / Su richiesta

Bold=last change / Grassetto =ultima modificaFrom Ser. Nr.
Up to Ser. Nr.Ed.01 2022.03
Ed.

Page: 4

Doc N0:595R71200



REFRIGERATED BASES

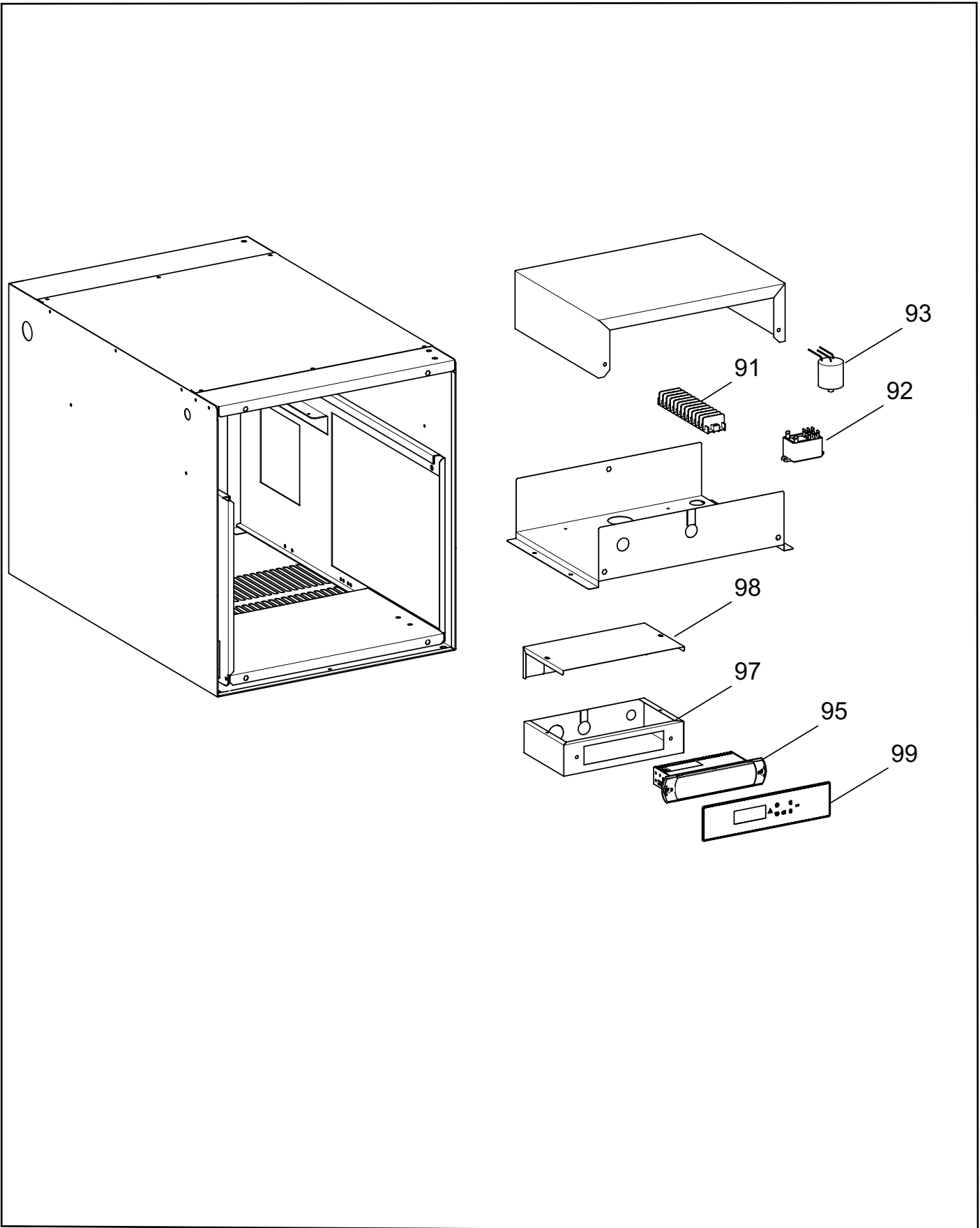
COMPACT R290 N900

POS	SPARE PART CODE	FACTORY CODE	DESCRIZIONE	DESCRIPTION	REF./ NOTES	
52	OTTMAT	0501R58101	Supporto disgiuntori	Circuit brakers support	inserire inser- to 089698	
53	097404	0646R06V00	Sonda cella blu (S1)	Cell probe blue (S1)		
54	097405	0646R06W00	Sonda evaporatore verde (S2)	Evaporator probe green (S2)		
56	093924	0544R03600	Tubo scarico condensa	Water discharge pipe		
57	092642	0501R15100	Supporto sonda	Probe support		
59	097409	0830R03A00	Evaporatore	Evaporator		
60	097390	0502R08Y00	Bacinella evaporatore	Evaporator basin		
61	095315	0682R10700	Assieme ventilatore assiale DP201A	Cell axial fan DP201A		
62	097403	0617R04B00	Resistenza	Defrost heating element		
63	097396	0504R00H00	Carter evaporatore vano	Evaporator carter		
64	087995	0514750900	Griglia ventilatore ventilatore	Fan grid		
65	092649	0830R02302	Condensatore	Heat Condenser		
66	097407	0682R04101	Ventilatore condens.230V (M3)	Condenser ventilator (M3)		
67	094955	0511R01900	Ventola	Fan		
68	096468	0514R05A00	Griglia ventilatore	Fan protection		
69	097415	0855R08U00	Scambiatore	Heat exchanger		
70	084078	0805729802	Filtro deidratore	Dehidrator filter		
71	096484	0684R14800	Compressore EMBRACO NEU2155U 220-240V 50HZ R290	Compressor EMBRACO NEU2155U 220-240V 50HZ R290		
76	0A8171	0A02021800	Valvola di ricarica	Charge/recharge valve		
77	0C2328	0544802200	Pressacavo + controdado	Cable gland + lock nut		
78	094435	0646R10502	Elettrovalvola Parker WB4,5 6W 220/230V 50/60HZ	Solenoid valve		
78a		*	Bobina	Coil		On demand
79	097400	0515R05401	Tubo da condensatore a filtro	Pipe condenser-filter		

* On demand / Su richiesta

Bold=last change / Grassetto =ultima modifica

From Ser. Nr. Up to Ser. Nr.	Ed.01 2022.03 Ed.	Page: 6	Doc N0:595R71200
---------------------------------	----------------------	---------	-------------------------



REFRIGERATED BASES

COMPACT R290 N900

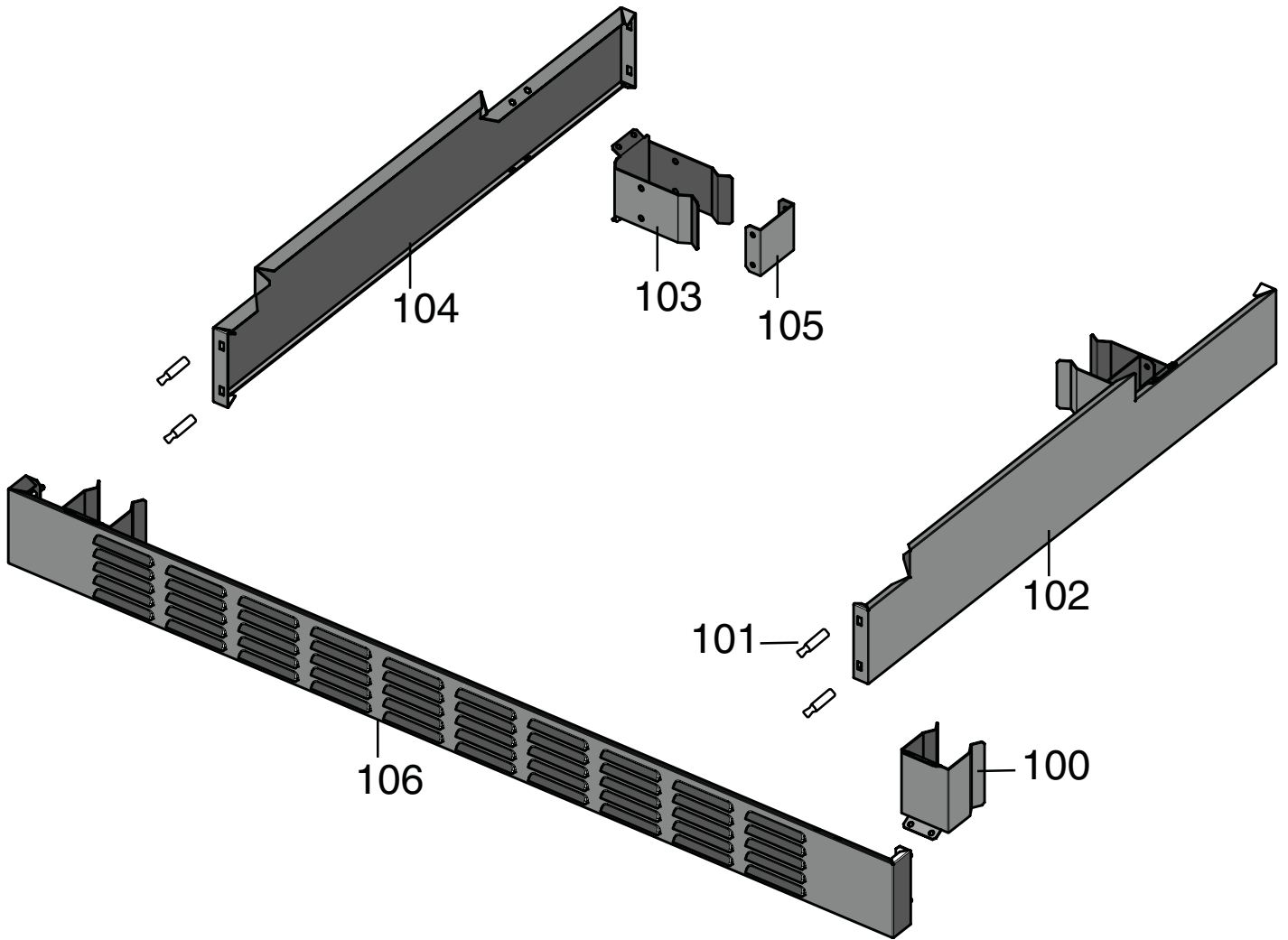
POS	SPARE PART CODE	FACTORY CODE	DESCRIZIONE	DESCRIPTION	REF./ NOTES
91	097413	0855R08J00	Morsettiera (MA)	Clamp (MA)	
92	093848	0648R06300	Relè Finder 66.82.8.230.0001	Relay Finder 66.82.8.230.0001	
93	093636	0694R00700	Filtro antidisturbo	Electrical filter	
95	095252	0646R13500	Ass. termoregolatore	Thermoregulator assembly	
97	097394	0503R02X00	Copertura inferiore termoregolatore	Easy wide cover lower	
98	097395	0503R02Y00	Copertura superiore termoregolatore	Easy wide cover upper	
99	097401	0598R14U00	Membrana multibrand	Maultibrand label	

* On demand / Su richiesta

Bold=last change / Grassetto =ultima modificaFrom Ser. Nr.
Up to Ser. Nr.Ed.01 2022.03
Ed.

Page: 8

Doc N0:595R71200



REFRIGERATED BASES

COMPACT R290 N900

POS	SPARE PART CODE	FACTORY CODE	DESCRIZIONE	DESCRIPTION	REF./NOTES
100	095115	0501R27300	Molla per zoccolatura	Spring to front panel	
101	092942	0514R5301	Perno	Pin	
102	095116	0501R27200	Pannello laterale dx	Right side panel	
103	095117	0501R27500	Molla per zoccolatura laterale	Spring for side panel	
104	095118	0501R27400	Pannello laterale sx	Left side panel	
105	095119	0501R27600	Lamiera ferma zoccolatura	Stopper spring side panel	
106	095114	0501R27101	Pannello frontale N900	Front panel N900	

* On demand / Su richiesta

Bold=last change / Grassetto =ultima modificaFrom Ser. Nr.
Up to Ser. Nr.Ed.01 2022.03
Ed.

Page: 10

Doc N0:595R71200

Electrolux Professional SpA
Viale Treviso, 15
33170 Pordenone, ITALY
Fax (+39) 0434 380 201
<https://www.electroluxprofessional.com>
<https://webgate.electroluxprofessional.com>